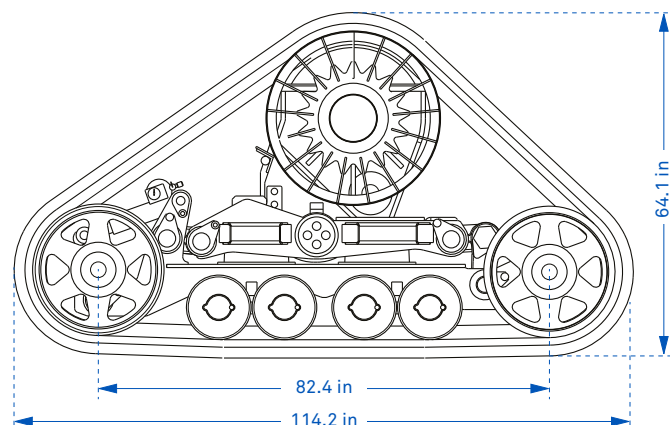


Field ready when
you're ready

Get into your field faster
than ever before

THINK NEXT GENERATION

CTS HIGH SPEED



36Q17MK
JD 264

Track width	36 in
Track system height	64.1 in
Track system length	114.2 in
Flate plate area per pair	5,936 in ²

Available for John Deere STS
and S Series combines

For more info visit camso.co/agriculture



FORMERLY
CAMOPLAST
SOLIDEAL

PRINTED IN CANADA

INTRODUCING THE NEXT GENERATION OF CONVERSION TRACK SYSTEMS CAMSO CTS HIGH SPEED



FORMERLY
CAMOPLAST
SOLIDEAL

Faster roading speed, more performance

The new CTS High Speed is the industry's first 100% bolt-on track system for combines with an integrated final drive system to achieve similar roading speeds to wheeled combines. This is an exclusive innovation from Camso.

NEW CONVERSION TRACK SYSTEM COMBINE APPLICATIONS

NEW Integrated final drive

Allows the combine to achieve speeds of up to 23 mph

Matches the right gear ratio to achieve speeds similar to wheeled combines

Hydraulic tensioning system

Maximizes tractive performance and keeps sprocket and lug at optimum contact to extend track life

Hydraulic tensioning system with nitrogen-charged accumulator

Suspension

Improves ground contact on uneven terrain, which helps transfer power to the ground

Improves machine stability and header placement

Patented double oscillating bogie wheels

Main frame

Resulting in smoother ride and less wear on equipment and operator

Suspended upper and lower frame design with polyurethane isolation

Wheels

Simplifies maintenance operations

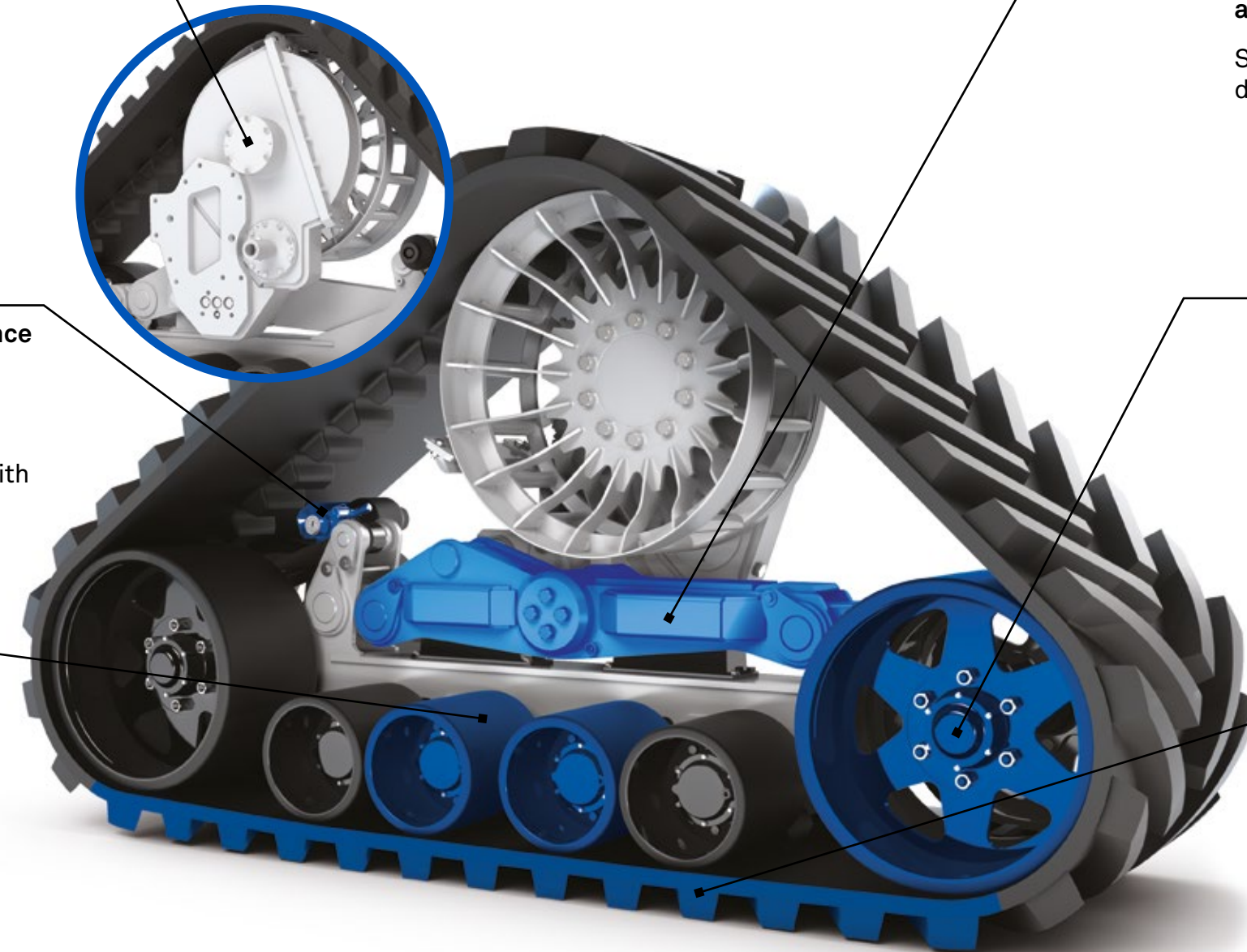
Heavy-duty wheel hubs with oil bath lubrication

No greasing or repacking of bearings

Track

Larger footprint that offers over 70% reduction in ground pressure

Increases mobility on soft ground conditions



WE START WE START



WHERE WHERE

THE ROAD THE ROAD

ENDS ENDS

**CONVERSION TRACK SYSTEM
FITMENT GUIDE**

CONVERSION TRACK SYSTEM COMBINE APPLICATIONS

MACHINE MANUFACTURER	MODEL	MACHINE SERIAL NUMBER	CONFIGURATION		SPEED MULTIPLIER					TRACK SYSTEM SPECIFICATIONS						TRACK SYSTEM SALES P/N'S		
			DRIVE AXLE	AXLE EXTENSION REQUIRED (MM)	SPEED MULTIPLIER OPTION	SPLINE COUNT - TRANSMISSION END	SPLINE COUNT - FINAL DRIVE END	LEFT AXLE LENGTH (MM)	RIGHT AXLE LENGTH (MM)	TRACK FRAME TYPE	TRACK WIDTH (IN)	TRACK OVERALL HEIGHT (IN)	TRACK OVERALL LENGTH (IN)	FLAT PLATE AREA PER PAIR (IN ²)	TRACK SYSTEM WEIGHT PER PAIR (LBS)	TRACK P/N (REFERENCE)	TRACK SYSTEM P/N	REQUIRED FITMENT KIT P/N
COMBINE APPLICATIONS																		
John Deere	S660	--	Front	--	--	--	--	--	--	Rigid	36,0	64,6	104,3	5 309	9 480	B36BF03075	36T23A	2K-0068
John Deere	S660	--	Front	--	--	--	--	--	--	Suspended	36,0	65,0	104,0	5 285	10 580	B36BF03075	36Q23MA	2K-0068
John Deere	S660	--	Front	400	MK	18	--	1128	851	Suspended	36,0	64,1	114,2	5 935	11 560	B36BM03247	36Q17MK JD264	2K-0216
John Deere	S660	--	Front	400	MK	22	--	1128	851	Suspended	36,0	64,1	114,2	5 935	11 560	B36BM03247	36Q17MK JD264	2K-0217
John Deere	S670	--	Front	--	--	--	--	--	--	Rigid	36,0	64,6	104,3	5 309	9 480	B36BF03075	36T23A	2K-0068
John Deere	S670	--	Front	--	--	--	--	--	--	Suspended	36,0	65,0	104,0	5 285	10 580	B36BF03075	36Q23MA	2K-0068
John Deere	S670	--	Front	400	MK	18	--	1128	851	Suspended	36,0	64,1	114,2	5 935	11 560	B36BM03247	36Q17MK JD264	2K-0216
John Deere	S670	--	Front	400	MK	22	--	1128	851	Suspended	36,0	64,1	114,2	5 935	11 560	B36BM03247	36Q17MK JD264	2K-0217
John Deere	S680	--	Front	--	--	--	--	--	--	Rigid	36,0	64,6	104,3	5 309	9 480	B36BF03075	36T23A	2K-0068
John Deere	S680	--	Front	--	--	--	--	--	--	Suspended	36,0	65,0	104,0	5 285	10 580	B36BF03075	36Q23MA	2K-0068
John Deere	S680	--	Front	400	MK	18	--	1128	851	Suspended	36,0	64,1	114,2	5 935	11 560	B36BM03247	36Q17MK JD264	2K-0216
John Deere	S680	--	Front	400	MK	22	--	1128	851	Suspended	36,0	64,1	114,2	5 935	11 560	B36BM03247	36Q17MK JD264	2K-0217
John Deere	S690	--	Front	--	--	--	--	--	--	Rigid	36,0	64,6	104,3	5 309	9 480	B36BF03075	36T23A	2K-0068
John Deere	S690	--	Front	--	--	--	--	--	--	Suspended	36,0	65,0	104,0	5 285	10 580	B36BF03075	36Q23MA	2K-0068
John Deere	S690	--	Front	400	MK	18	--	1128	851	Suspended	36,0	64,1	114,2	5 935	11 560	B36BM03247	36Q17MK JD264	2K-0216
John Deere	S690	--	Front	400	MK	22	--	1128	851	Suspended	36,0	64,1	114,2	5 935	11 560	B36BM03247	36Q17MK JD264	2K-0217
John Deere	9x50	--	Front	--	--	--	--	--	--	Rigid	36,0	64,6	104,3	5 309	9 480	B36BF03075	36T23A	2K-0069
John Deere	9x50	--	Front	--	--	--	--	--	--	Suspended	36,0	65,0	104,0	5 285	10 580	B36BF03075	36Q23MA	2K-0069
John Deere	9x50	--	Front	400	MK	18	--	1128	851	Suspended	36,0	64,1	114,2	5 935	11 560	B36BM03247	36Q17MK JD264	2K-0216
John Deere	9x60	--	Front	--	--	--	--	--	--	Rigid	36,0	64,6	104,3	5 309	9 480	B36BF03075	36T23A	2K-0069
John Deere	9x60	--	Front	--	--	--	--	--	--	Suspended	36,0	65,0	104,0	5 285	10 580	B36BF03075	36Q23MA	2K-0069
John Deere	9x60	--	Front	400	MK	18	--	1128	851	Suspended	36,0	64,1	114,2	5 935	11 560	B36BM03247	36Q17MK JD264	2K-0216
John Deere	9x70	--	Front	--	--	--	--	--	--	Rigid	36,0	64,6	104,3	5 309	9 480	B36BF03075	36T23A	2K-0069
John Deere	9x70	--	Front	--	--	--	--	--	--	Suspended	36,0	65,0	104,0	5 285	10 580	B36BF03075	36Q23MA	2K-0069
John Deere	9x70	--	Front	400	MK	18	--	1128	851	Suspended	36,0	64,1	114,2	5 935	11 560	B36BM03247	36Q17MK JD264	2K-0216
Case IH	8120	--	Front	265 or +	--	--	--	--	--	Rigid	36,0	64,6	104,3	5 309	9 480	B36BF03075	36T23A	2K-0070
Case IH	8120	--	Front	265 or +	--	--	--	--	--	Suspended	36,0	65,0	104,0	5 285	10 580	B36BF03075	36Q23MA	2K-0070
Case IH	8120	--	Front	265	Yes	22	--	928	1188	Suspended	36,0	65,0	104,0	5 285	11 580	B36BF03075	36Q23MA	2K-0126
Case IH	8120	--	Front	316	Yes	22	22	979	1239	Suspended	36,0	65,0	104,0	5 285	11 580	B36BF03075	36Q23MA	2K-0098
Case IH	8230	--	Front	265 or +	--	--	--	--	--	Rigid	36,0	64,6	104,3	5 309	9 480	B36BF03075	36T23A	2K-0070
Case IH	8230	--	Front	265 or +	--	--	--	--	--	Suspended	36,0	65,0	104,0	5 285	10 580	B36BF03075	36Q23MA	2K-0070
Case IH	8230	--	Front	265	Yes	22	22	928	1188	Suspended	36,0	65,0	104,0	5 285	11 580	B36BF03075	36Q23MA	2K-0126
Case IH	8230	--	Front	316	Yes	22	22	979	1239	Suspended	36,0	65,0	104,0	5 285	11 580	B36BF03075	36Q23MA	2K-0098

CONVERSION TRACK SYSTEM COMBINE APPLICATIONS

MACHINE MANUFACTURER	MODEL	MACHINE SERIAL NUMBER	CONFIGURATION		SPEED MULTIPLIER					TRACK SYSTEM SPECIFICATIONS						TRACK SYSTEM SALES P/N'S		
			DRIVE AXLE	AXLE EXTENSION REQUIRED (MM)	SPEED MULTIPLIER OPTION	SPLINE COUNT- TRANSMISSION END	SPLINE COUNT - FINAL DRIVE END	LEFT AXLE LENGTH (MM)	RIGHT AXLE LENGTH (MM)	TRACK FRAME TYPE	TRACK WIDTH (IN)	TRACK OVERALL HEIGHT (IN)	TRACK OVERALL LENGTH (IN)	FLAT PLATE AREA PER PAIR (IN ²)	TRACK SYSTEM WEIGHT PER PAIR (LBS)	TRACK P/N (REFERENCE)	TRACK SYSTEM P/N	REQUIRED FITMENT KIT P/N
COMBINE APPLICATIONS																		
Case IH	8240	--	Front	265 or +	--	--	--	--	--	Rigid	36,0	64,6	104,3	5 309	9 480	B36BF03075	36T23A	2K-0070
Case IH	8240	--	Front	265 or +	--	--	--	--	--	Suspended	36,0	65,0	104,0	5 285	10 580	B36BF03075	36Q23MA	2K-0070
Case IH	8240	--	Front	265	Yes	22	22	928	1188	Suspended	36,0	65,0	104,0	5 285	11 580	B36BF03075	36Q23MA	2K-0126
Case IH	8240	--	Front	316	Yes	22	22	979	1239	Suspended	36,0	65,0	104,0	5 285	11 580	B36BF03075	36Q23MA	2K-0098
Case IH	9120	--	Front	265 or +	--	--	--	--	--	Rigid	36,0	64,6	104,3	5 309	9 480	B36BF03075	36T23A	2K-0070
Case IH	9120	--	Front	265 or +	--	--	--	--	--	Suspended	36,0	65,0	104,0	5 285	10 580	B36BF03075	36Q23MA	2K-0070
Case IH	9120	--	Front	265	Yes	22	22	928	1188	Suspended	36,0	65,0	104,0	5 285	11580	B36BF03075	36Q23MA	2K-0126
Case IH	9120	--	Front	316	Yes	22	22	979	1239	Suspended	36,0	65,0	104,0	5 285	11 580	B36BF03075	36Q23MA	2K-0098
Case IH	9230	--	Front	265 or +	--	--	--	--	--	Rigid	36,0	64,6	104,3	5 309	9 480	B36BF03075	36T23A	2K-0070
Case IH	9230	--	Front	265 or +	--	--	--	--	--	Suspended	36,0	65,0	104,0	5 285	10 580	B36BF03075	36Q23MA	2K-0070
Case IH	9230	--	Front	265	Yes	22	22	928	1188	Suspended	36,0	65,0	104,0	5 285	11 580	B36BF03075	36Q23MA	2K-0126
Case IH	9230	--	Front	316	Yes	22	22	979	1239	Suspended	36,0	65,0	104,0	5 285	11 580	B36BF03075	36Q23MA	2K-0098
Case IH	9240	--	Front	265 or +	--	--	--	--	--	Rigid	36,0	64,6	104,3	5 309	9 480	B36BF03075	36T23A	2K-0070
Case IH	9240	--	Front	265 or +	--	--	--	--	--	Suspended	36,0	65,0	104,0	5 285	10 580	B36BF03075	36Q23MA	2K-0070
Case IH	9240	--	Front	265	Yes	22	22	928	1188	Suspended	36,0	65,0	104,0	5 285	11 580	B36BF03075	36Q23MA	2K-0126
Case IH	9240	--	Front	316	Yes	22	22	979	1239	Suspended	36,0	65,0	104,0	5 285	11 580	B36BF03075	36Q23MA	2K-0098
New Holland	CR7090, CR7.90	--	Front	265 or +	--	--	--	--	--	Rigid	36,0	64,6	104,3	5 309	9 480	B36BF03075	36T23A	2K-0070
New Holland	CR7090, CR7.90	--	Front	265 or +	--	--	--	--	--	Suspended	36,0	65,0	104,0	5 285	10 580	B36BF03075	36Q23MA	2K-0070
New Holland	CR8080	--	Front	265 or +	--	--	--	--	--	Rigid	36,0	64,6	104,3	5 309	9 480	B36BF03075	36T23A	2K-0070
New Holland	CR8080	--	Front	265 or +	--	--	--	--	--	Suspended	36,0	65,0	104,0	5 285	10 580	B36BF03075	36Q23MA	2K-0070
New Holland	CR8090, CR8.90	--	Front	265 or +	--	--	--	--	--	Rigid	36,0	64,6	104,3	5 309	9 480	B36BF03075	36T23A	2K-0070
New Holland	CR8090, CR8.90	--	Front	265 or +	--	--	--	--	--	Suspended	36,0	65,0	104,0	5 285	10 580	B36BF03075	36Q23MA	2K-0070
New Holland	CR9090, CR9.90	--	Front	265 or +	--	--	--	--	--	Rigid	36,0	64,6	104,3	5 309	9 480	B36BF03075	36T23A	2K-0070
New Holland	CR9090, CR9.90	--	Front	265 or +	--	--	--	--	--	Suspended	36,0	65,0	104,0	5 285	10 580	B36BF03075	36Q23MA	2K-0070

camso.co

